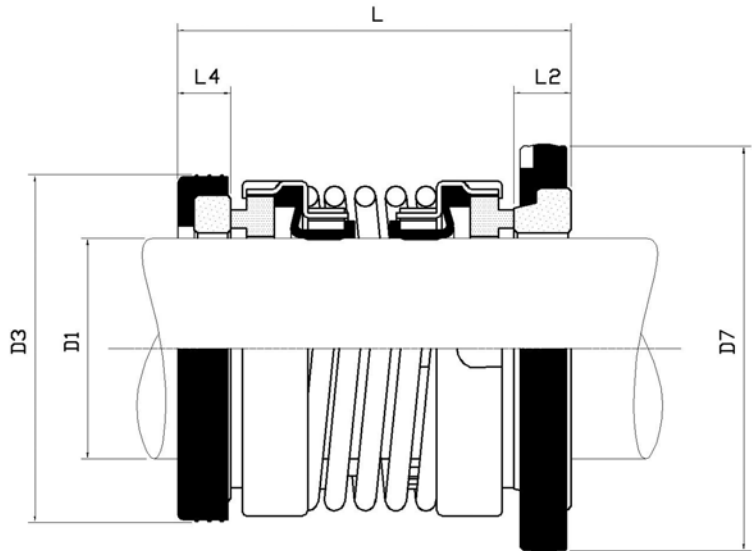


EA560D



Design Features

Back to back configuration, seal bath in oil chamber, silicon carbide seal face on the impeller side, commonly found in submersible pumps

Operating Conditions

Temperature: -30°C to +200°C
(Depending on materials used)

Pressure: Up to 5 bar , 75psi

Speed: Up to 5m/s, 1000rpm

Materials available

Seal face: carbon, ceramic, SIC

Elastomer: nitrile, viton.

Equivalent to

ED560seal

| D1 | D3 | D7 | L2 | L4 | L |
|------|----|----|------|------|----|
| 14mm | 30 | 30 | 4.0 | 4.0 | 36 |
| 15mm | 30 | 30 | 4.0 | 4.0 | 36 |
| 16mm | | | | | |
| 18mm | 34 | 38 | | | |
| 20mm | 38 | 44 | 7.5 | 8.6 | 50 |
| 20mm | 38 | 38 | | | 50 |
| 24mm | 39 | 44 | | | |
| 24mm | 38 | 50 | | | |
| 25mm | 44 | 50 | 8.0 | 8.6 | 50 |
| 25mm | 44 | 44 | | | 50 |
| 30mm | 44 | 57 | 10.7 | 10.7 | 60 |
| 30mm | 50 | 57 | | | 60 |
| 35mm | 54 | 57 | 10.7 | 10.7 | 60 |
| 35mm | 58 | 64 | | | 60 |
| 35mm | 58 | 58 | | | 60 |
| 40mm | 68 | 70 | 12.0 | 12.0 | 65 |
| 40mm | 64 | 70 | 11.5 | 11.5 | 65 |
| 45mm | 68 | 70 | 12.0 | 12.0 | 65 |