

## T68U



### Design Features

Unitised design

### Operating Conditions

**Temperature:** -30°C to +100°C

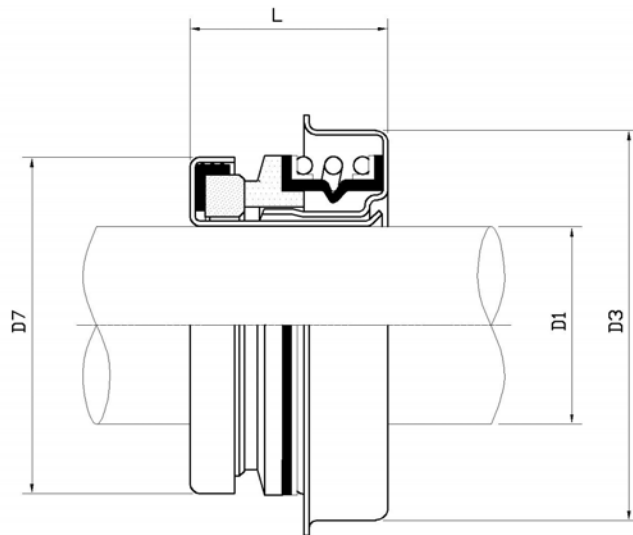
**Pressure:** Up to 4 bar , 60 psi

**Speed:** up to 45m/s, 9000fpm

### Materials available

carbon/cerami/nir

Equivalent to T6A, T68



D1	D3	D7	L
12	28.50	25.0	17.50
12	30.00	26.0	17.50
16	36.50	28.5	19.00
20	40.00	36.8	22.50

## T68C



### Design Features

stationary seal design to run at higher operating speed

### Operating Conditions

**Temperature:** -30°C to +180°C  
(Depending on materials used)

**Pressure:** Up to 4 bar , 60 psi

**Speed:** up to 45m/s, 9000fpm

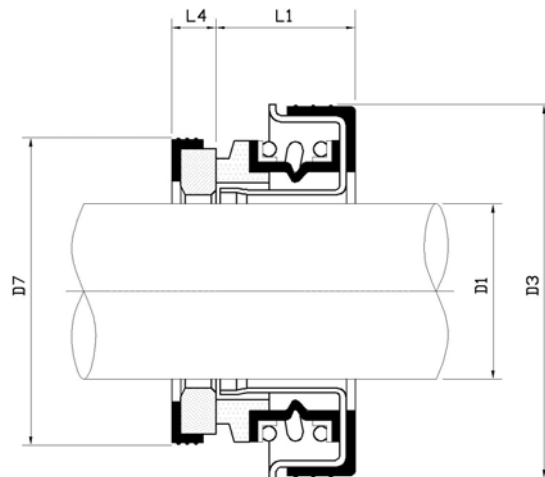
### Materials available

**Seal face:** carbon, ceramic, sic

**Elastomer:** nitrile, viton

### Equivalent to

T6A, T68, T7, T790, BO3



D1	D3	D7	L1	L4
10	27	23	14.0	4
12	32	25	14.2	5
16	41	31	16.8	5
20	45	35	17.5	5
25	52	44	20.0	11
30	58	48	21.0	8